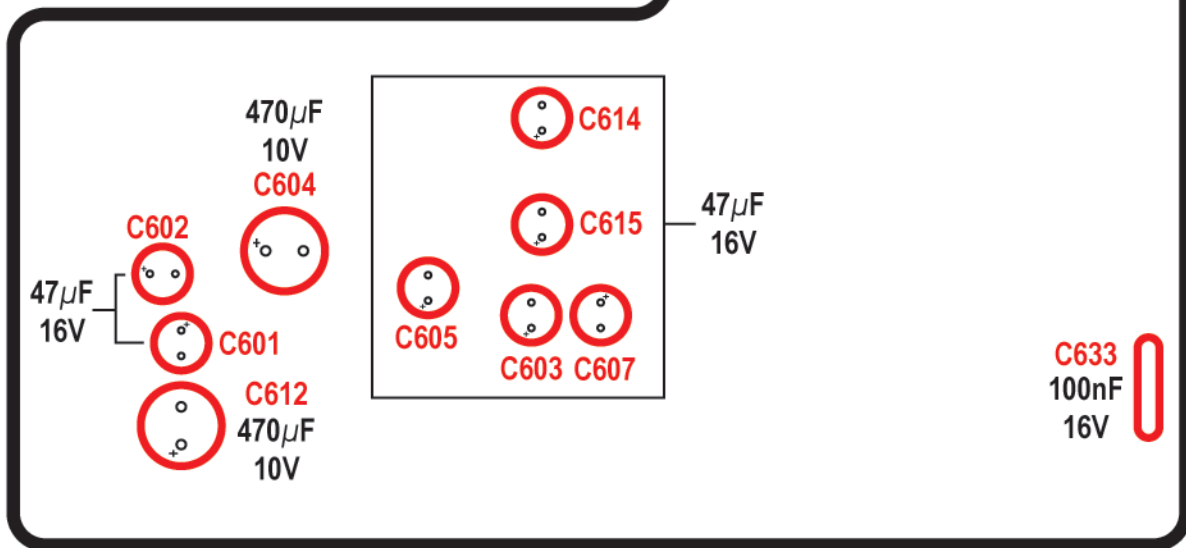
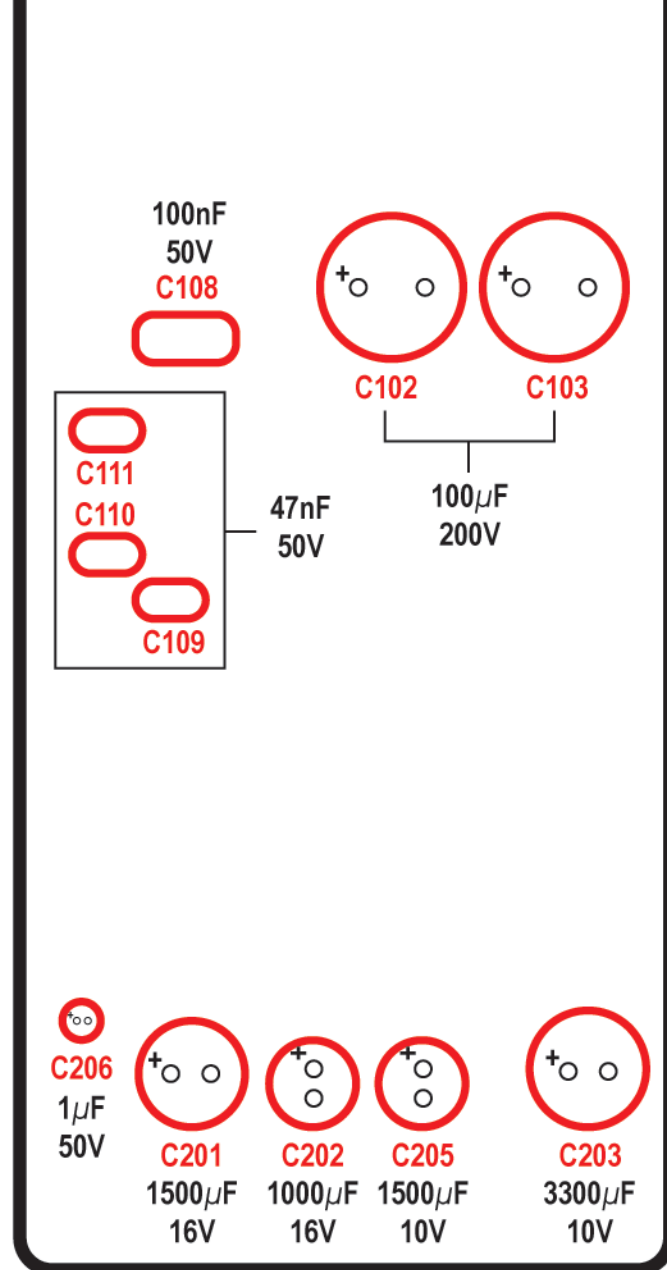


ROLAND CD-5 CAPACITOR LOCATIONS/VALUES

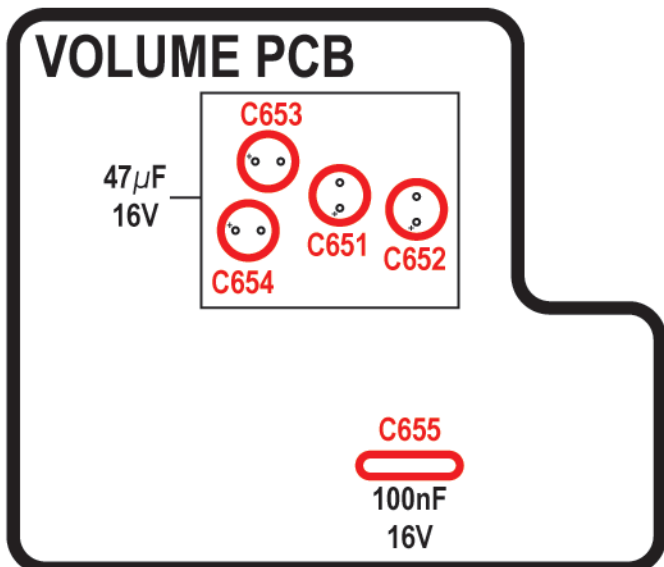
AUDIO PCB



PSU PCB



VOLUME PCB



ELECTROLYTIC

C102 C103 C201 C202 C203
 C205 C206 C601 C602 C603
 C604 C605 C607 C612 C614
 C615 C651 C652 C653 C654

POLYESTER FILM

C108 C109 C110 C111

CERAMIC

C633 C655