

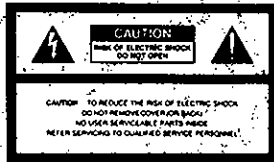


MIDI DIGITAL SAMPLER

S-550

Owner's Manual

Supplementary explanation
System Disk Sound Library
NOTES



The lightning flash with arrowhead symbol, within an equilateral triangle, is intended to alert the user to the presence of un-insulated "dangerous voltage" within the product's enclosure that may be of sufficient magnitude to constitute a risk of electric shock to persons.

The exclamation point within an equilateral triangle is intended to alert the user to the presence of important operating and maintenance (servicing) instructions in the literature accompanying the product.

INSTRUCTIONS PERTAINING TO A RISK OF FIRE, ELECTRIC SHOCK OR INJURY TO PERSONS.

IMPORTANT SAFETY INSTRUCTIONS

WARNING: When using electric products, basic precautions should always be followed, including the following:

1. Read all the instructions before using the product.
2. To reduce the risk of injury, close supervision is necessary when a product is used near children.
3. Do not use this product near water—for example, near a bathtub, washbowl, kitchen sink, in a wet basement, or near a swimming pool, or the like.
4. This product should be used only with a cart or stand that is recommended by the manufacture.
5. This product, either alone or in combination with an amplifier and headphones or speakers, may be capable of producing sound levels that could cause permanent hearing loss. Do not operate for a long period of time at a high volume level or at level that is uncomfortable. If you experience any hearing loss or ringing in the ears, you should consult an audiologist.
6. The product should be located so that its location or position does not interfere with its proper ventilation.
7. The product should be located away from heat sources such as radiators, heat registers or other products that produce heat.
8. The product should avoid using in where it may be effected by dust.
9. The product should be connected to a power supply only of the type described in the operating instructions or as marked on the product.
10. The power-supply cord of the product should be unplugged from the outlet when left unused for a long period of time.
11. Do not tread on the power-supply cord.
12. Do not pull the cord but hold the plug when unplugging.
13. When setting up with any other instruments, the procedure should be followed in accordance with instruction manual.
14. Care should be taken so that objects do not fall and liquids are not spilled into the enclosure through openings.
15. The product should be serviced by qualified service personnel when:
 - A: The power-supply cord or the plug has been damaged; or
 - B: Objects have fallen, or liquid has been spilled into the product; or
 - C: The product has been exposed to rain; or
 - D: The product does not appear to operate normally or exhibits a marked change in performance; or
 - E: The product has been dropped, or the enclosure damaged.
16. Do not attempt to service the product beyond that described in the user-maintenance instructions. All other servicing should be referred to qualified service personnel.

SAVE THESE INSTRUCTIONS

WARNING

THIS APPARATUS MUST BE EARTH GROUNDED.

The three conductors of the mains lead attached to this apparatus are identified with color as shown in the table below, together with the matching terminal on the UK type power plug. When connecting the mains lead to a plug, be sure to connect each conductor to the correct terminal, as indicated.

"This instruction applies to the product for United Kingdom."

MAINS LEADS		PLUG
Conductor	Color	Mark on the matching terminal
Live	Brown	Red or letter L
Neutral	Blue	Black or letter N
Grounding	Green-Yellow	Green, Green-Yellow, letter E or symbol

Bescheinigung des Herstellers / Importeurs

Hiermit wird bescheinigt, daß der/die/das

ROLAND DIGITAL SÄMPLER S-550

(Gerät, Typ, Bezeichnung)

in Übereinstimmung mit den Bestimmungen der:

Amtsbl. Vfg 1046 / 1984

(Amtsblattverfügung)

funk-entstört ist.

Der Deutschen Bundespost wurde das Inverkehrbringen dieses Gerätes angezeigt und die Berechtigung zur Überprüfung der Serie auf Einhaltung der Bestimmungen eingeräumt.

Roland Corporation Osaka / Japan

Name des Herstellers/Importeurs

RADIO AND TELEVISION INTERFERENCE

*Warning - This equipment has been verified to comply with the limits for a Class B computing device, pursuant to Subpart J, of Part 15, of FCC rules. Operation with non-certified or non-verified equipment is likely to result in interference to radio and TV reception.

The equipment described in this manual generates and uses radio-frequency energy. If it is not installed and used properly, that is, in strict accordance with our instructions, it may cause interference with radio and television reception.

This equipment has been tested and found to comply with the limits for a Class B computing device in accordance with the specifications in Subpart J, of Part 15, of FCC Rules. These rules are designed to provide reasonable protection against such a interference in a residential installation. However, there is no guarantee that the interference will not occur in a particular installation. If the equipment does cause interference to radio or television reception, which can be determined by turning the equipment on and off, the user is encouraged to try to correct the interference by the following measures:

- Disconnect other devices and their input/output cables one at a time. If the interference stops, it is caused by either the other device or its I/O cable.
- These devices usually require Roland designated shielded I/O cables. For Roland devices, you can obtain the proper shielded cable from your dealer. For non-Roland devices, contact the manufacturer or dealer for assistance.

If your equipment does cause interference to radio or television reception, you can try to correct the interference by using one or more of the following measures:

- Turn the TV or radio antenna until the interference stops.
- Move the equipment to one side or the other of the TV or radio.
- Move the equipment farther away from the TV or radio.
- Plug the equipment into an outlet that is on a different circuit than the TV or radio. (That is, make certain the equipment and the radio or television set are on circuits controlled by different circuit breakers or fuses.)
- Consider installing a rooftop television antenna with coaxial cable lead-in between the antenna and TV.

If necessary, you should consult your dealer or an experienced radio/television technician for additional suggestions. You may find helpful the following booklet prepared by the Federal Communications Commission:

"How to Identify and Resolve Radio-TV Interference Problems"

This booklet is available from the U.S. Government Printing Office, Washington, D.C. 20402. Stock No. 004-000-004-5.

Please read the separate volume "MIDI", before reading this owner's manual.

Copyright © 1987 by ROLAND CORPORATION

All rights reserved. No part of this publication may be reproduced in any form without the written permission of ROLAND CORPORATION.



MIDI DIGITAL SAMPLER

S-550 Ver. 1.1

Supplementary explanation

You can find that the system Ver.1.1 supplied with the S-550 has some difference in the Owner's Manual because of improvement from the Ver.1.0. Please use this Supplementary Explanation on these points.

1.Convert (P.147)

The Convert function can convert S-50 data into S-550 or the S-550 data into S-50 (Ver.2.0).

*The S-50 and S-550 do not feature exactly the same parameters, therefore, the converted data may sound different from each other.

*Data on the S-330's disk can be loaded into the S-550 without converting it.

Preparation 1 Insert the Utility disk into the Disk Drive.

Preparation 2 Press the UTILITY button, or open the Mode Menu to select UTIL, for calling the Utility mode.

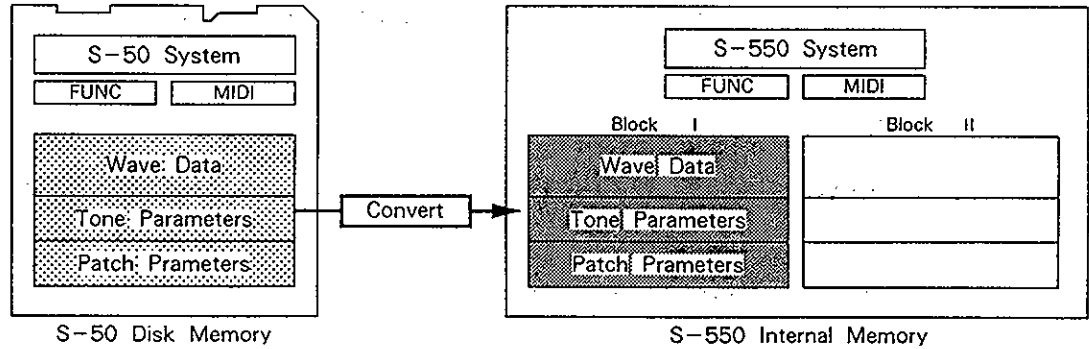
Preparation 3 Open the Menu Window, and select [Convert] to open the Command Window.

There are six types of Convert Commands.

Convert Load

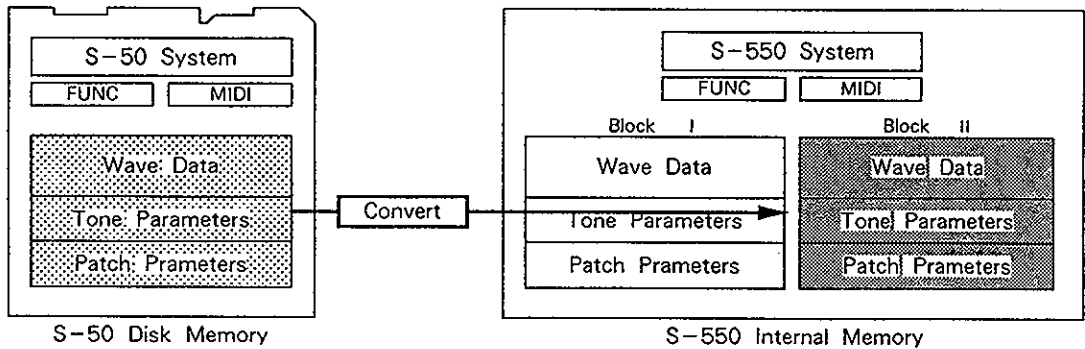
Load I ←← S50

Using this function, the Block data on an S-50 (Ver.1.0, 2.0) disk can be loaded into Block I in the S-550 memory.



Load II ←← S50

Using this function, the Block data on an S-50 (Ver.1.0, 2.0) disk can be loaded into Block II in the S-550 memory.



Step 1 Insert an S-50 disk into the Disk Drive.

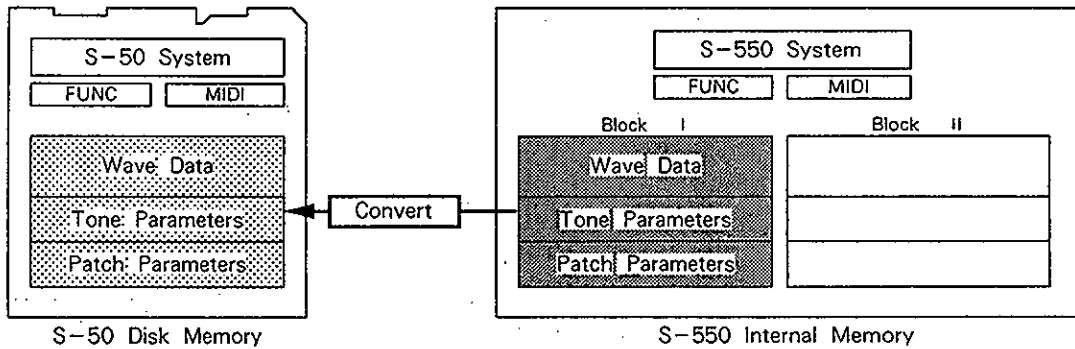
Step 2 Select the command you wish to execute, and push the EXECUTE button or the left side button on the Mouse.

"Now Loading" is shown on the Message Line, then the number counts down to 00. When finished, "Complete" is shown on the Message Line.

Convert Save

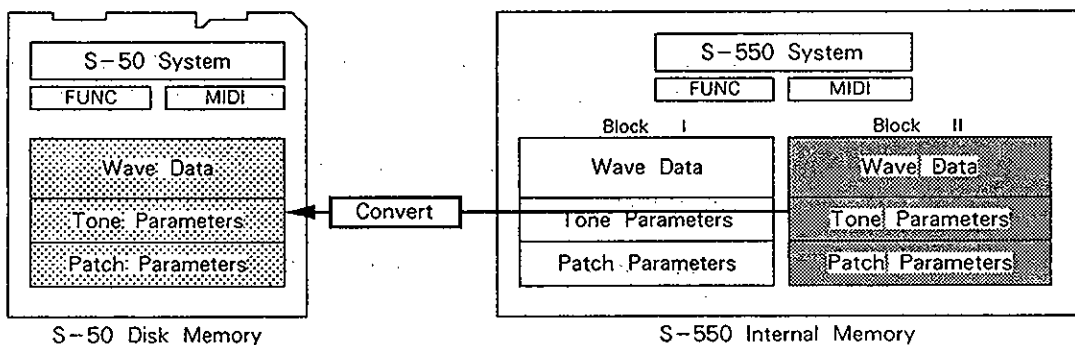
Save I →→ S50

Using this function, the Block I data on the S-550 memory can be saved on the S-50 (Ver.2.0) disk.



Save II →→ S50

Using this function, the Block II data on the S-550 memory can be saved on the S-50 (Ver.2.0) disk.



*Patches on the S-550 are numbered 11 through 18 and 21 through 28 while those on the S-50 are P1 to P8. Therefore, Patches 21 to 28 on the S-550 are ignored in the Convert Save.

Step 1 Prepare a disk formatted with the S-50 (Ver.2.0), and set the Protect Tab on the disk to the WRITE position. Then insert the disk into the Disk Drive.

Step 2 Select the command you wish to execute, and push the EXECUTE button or the left side button on the Mouse.

"Now Saving" is shown on the Message Line, then the number counts down to 00. When finished, "Complete" is shown on the Message Line.

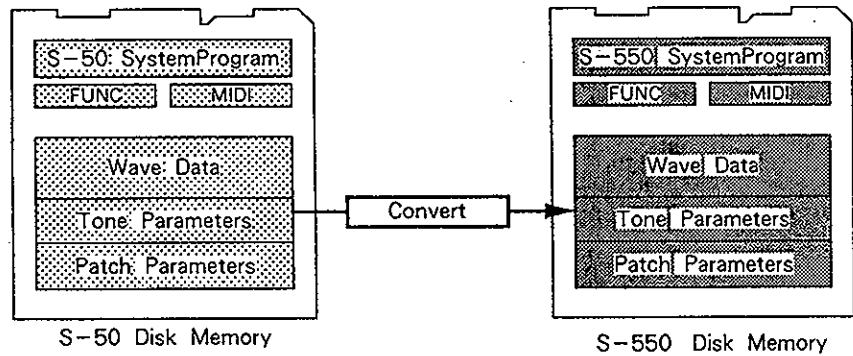
Convert Disk

Conv → S550

This function updates a S-50 (Ver.1.0, 2.0) disk to the S-550.

*This function does not change the contents of Sound data on the S-550 memory.

*The converted disk can boot up the S-550.



Step 1 Prepare an S-50 disk to be converted into S-550, set the Protect Tab on the disk to the WRITE position, then insert it into the Disk Drive.

Step 2 Select the command "Conv → S550", and push the EXECUTE button or the left side button on the Mouse.

*When the disk is for other than the S-50, the Display shows "Insert S-50 Disk".

"Working" is shown on the Message Line, and when finished, "Complete"

Conv → S50

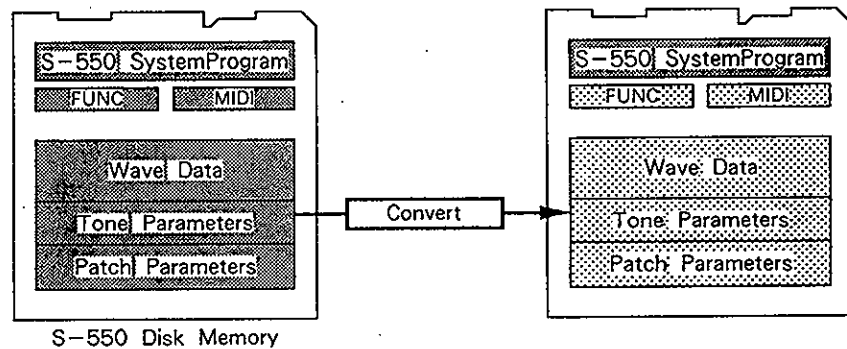
This function converts a S-550 disk into the S-50 (Ver.2.0).

*This function does not change the contents of Sound data on the S-550.

*This Convert Disk converts only the Sound data. The system program remains intact, therefore, it is not possible to boot up the S-50 with the converted disk. To do that, first boot the S-50 with the Ver.2.0 system disk, then execute SAVE SYS on this disk.

*Patches on the S-550 are numbered 11 through 18 and 21 through 28 while those on the S-50 (Ver.2.0) are P1 to P8. Therefore, Patches 21 to 28 on the S-550 are ignored in the Convert DISK.

*When the Multi Patch setting on the S-550 does not correspond to the S-50 (Ver.2.0), it will be modified automatically to match the S-50's. So, check the setting and correct it, if necessary.



- Step 1 Prepare an S-550 disk to be converted into S-50 (Ver.2.0), set the Protect Tab on the disk to the WRITE position, then insert it into the Disk Drive.
- Step 2 Select the command "Conv → S50", and push the EXECUTE button or the left side button on the Mouse.

"Working" is shown on the Message Line, and when finished, "Complete" .

2. Power-up and Booting (P.23)

The S-550 cannot be played immediately after being turned on. The program on a supplied system disk should be transferred to the S-550 to operate it as a sampler module. This procedure is called Booting. For booting, either of the supplied System Disks can be used, but here, let's boot with the Disk I. After reading the program from the system disk, the S-550 continues to read the Sound Data stored on the same disk (automatically into Block I).

Before switching the S-550 on, check if :

- (1) the S-550 is properly set up with the other units
- (2) nothing is inserted in the Disk Drive.

Step 1 Turn the S-550 on as outlined below.

To use the supplied Mouse or the optional RC-100, turn the S-550 on while taking the following procedure, and the AUX Control Switch is automatically turned on.

To use the supplied Mouse :

Turn the S-550 on while holding the Ten Key 2 down.

To use the optional RC-100 :

Turn the S-550 on while holding the Ten Key 3 down.

*Before using the RC-100, be sure to push the Reset Switch.

To operate the S-550 without connecting the Mouse or RC-100 :

Turn the S-550 on while holding the Ten Key 1 down.

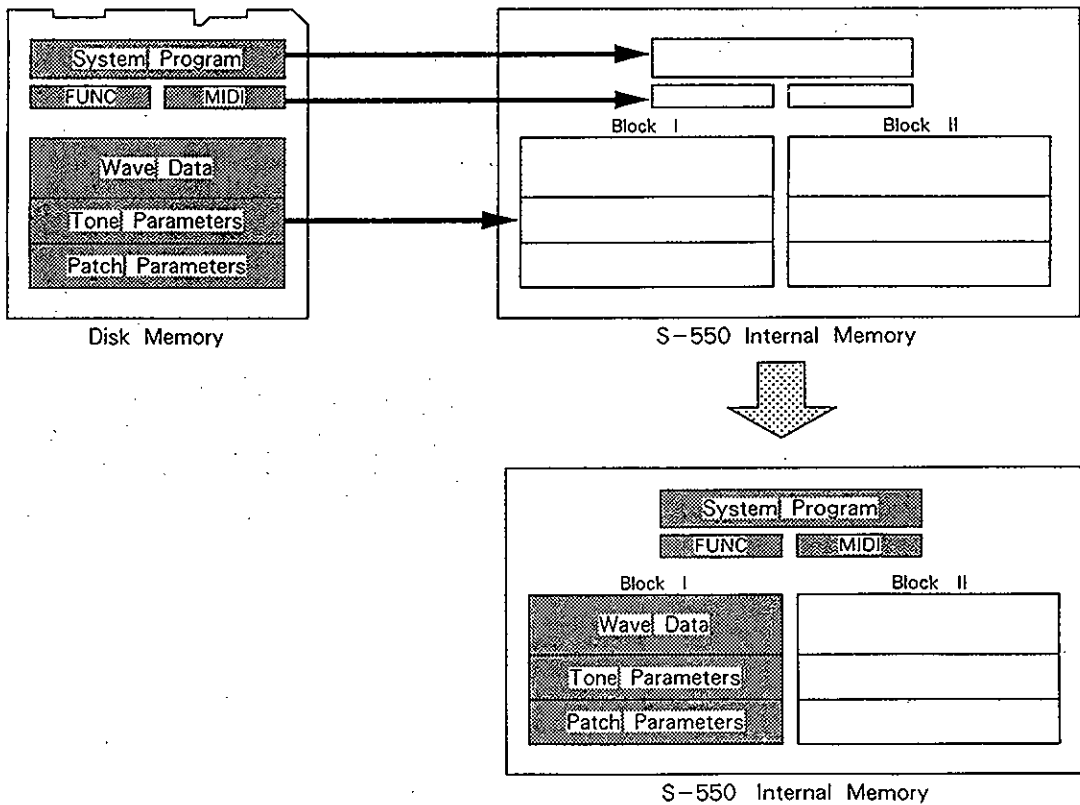
*If you turn the S-550 on without holding any Ten Key down, the status written on the disk is given priority. The supplied system disk will default to "Mouse".

NOTE : When the "RC-100" or "Mouse" mode is selected but the RC-100 or the Mouse is not connected to the S-550, the buttons on the S-550's panel do not work properly.

Now, the Display shows "Please Insert System Disk", and the Disk Drive Indicator lights up.

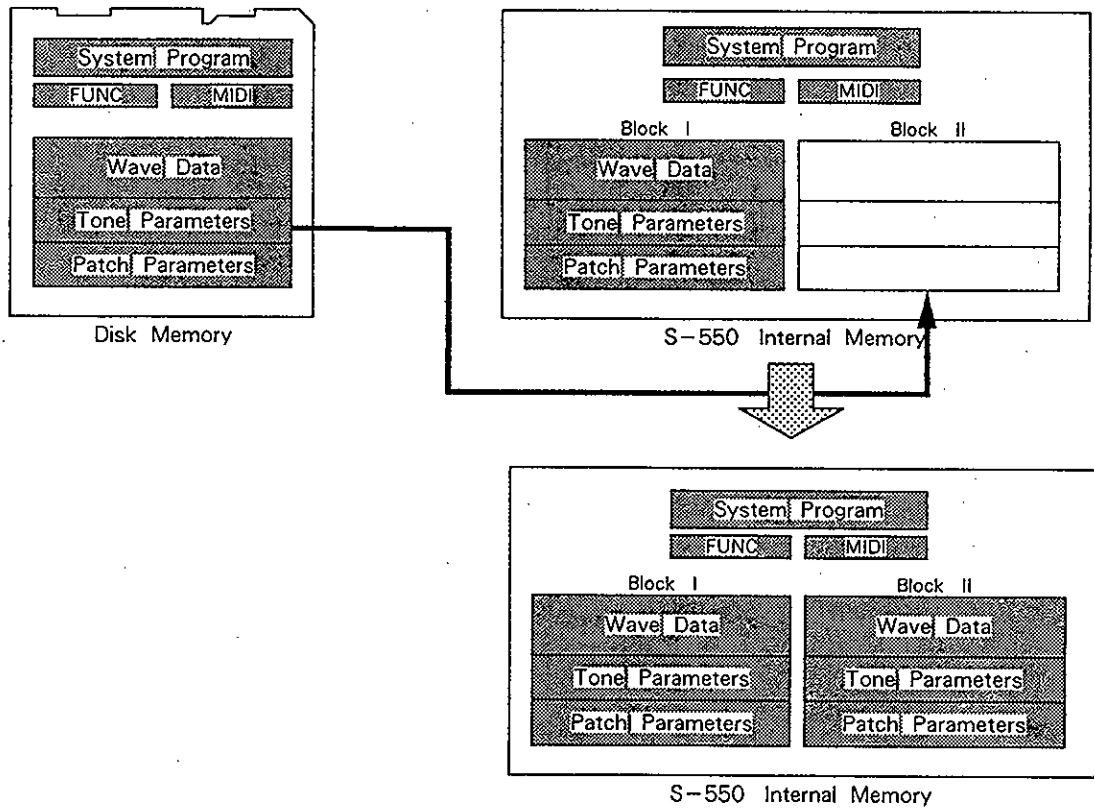
Step 2 Insert Disk I into the Disk Drive until it clicks.

The system program is loaded first, then the sound data. When the number in the Display counts down to 00, loading is completed, then "Next Disk Please?" appears in the Display.



Now, the Disk I data is loaded in the S-550's memory as shown above. You may leave Block II empty and play only the Block I data. If, however, you load data into Block II, 64 Tones and 32 Patches can be played.

Now, let's load data into Block II.



Step 3 Push the Eject Button and take out the Disk I, then insert Disk II.

The number counts down to 00, and loading is completed, automatically returning to the Play mode.

If you push the NO button at step 3, the unit is returned to the Play mode without loading data into Block II.

*Do not take out the floppy disk or switch the unit off from the moment the disk is inserted until the loading is completed.

3. Saving the EXT CTRL Parameter

The S-550 can be controlled by using the panel switches of the unit, the Mouse (MU-1), or the Remote Controller (RC-100). The EXT CTRL Switch select which of the three controllers should be used.

The S-550 can be operated with the controller saved in the disk, except turning on with the special procedure explained in the foregoing section.

*To set it at power-up, see page 6 on this book.

- Step 1 Push the Disk button, or open the Mode Menu and select DISK, to call the Disk Mode.
- Step 2 Open the Menu Window, and select [Save SYS]
- Step 3 Set "Save EXT CTRL" parameter for selecting the controller to be used for saving the system program.
- Step 4 Set the Protect Tab on the disk to the WRITE position, then insert it in the Disk Drive.
- Step 5 Open the Command Window, then push the EXECUTE button or the left side button on the Mouse.

4. Back-up of the System Disks [Procedure] (P.26)

- Step 1 Boot with the disk 1.
- Step 2 Take out the system disk from the Disk Drive, set the Protect Tab on the floppy disk for backup to the WRITE position, and insert in the Disk Drive.
- Step 3 Push the DISK button.
- Step 4 Push the MENU button.
- Step 5 Using the Cursor Buttons, select "Backup", and push the EXECUTE button.
- Step 6 Select your useful controller by pushing the INC/DEC buttons.
- Step 7 Push the COMMAND button, then EXECUTE button.

The Display shows "Formatting", then "Now Saving", and finally "Complete". Now, the Disk 1's backup is prepared.

- Step 8 Push the Eject Button to take out the floppy disk from the Disk Drive, and set the Protect Tab to the PROTECT position.

Power off, then boot up with Disk 2. And create the backup of the Disk 2 same as Disk 1.

If the supplied system disk happens to be erased or damaged, consult your local Roland service center.

